

Han® 3 A Standard Hoods/Housings Metal hoods/housings for industrial applications

Material	zinc die-cast
Colour	RAL 7037 (grey)
Surface	powder-coated
Locking element	steel, zinc-plated
Lever type	lever, metal
Hoods/Housings seal	NBR
Limiting temperatures	-40 °C ... +125 °C
Flammability acc. to UL 94	V 0
Degree of protection acc. to DIN EN 60 529 for coupled connector	IP44 IP67 is achieved with seal screw 09 20 000 9918

Han-Drive® Housings for motor applications

Material	aluminium die-cast
Colour	non coloured / RAL 7037 (grey)
Surface	electrical conductive / powder-coated / unpainted
Locking element	stainless steel
Lever type	Han-Easy Lock®
Hoods/Housings seal	NBR
Limiting temperatures	-40 °C ... +125 °C
Approval acc. to UL 50	NEMA Type 4/4X/12
Degree of protection acc. to DIN EN 60 529 for coupled connector	IP65

Han® 3 A Hoods/Housings Plastic hoods/housings for industrial applications

Material	polycarbonate
Colour	RAL 7032 (light grey) / RAL 9005 (black)
Locking element	polyamide
Lever type	lever, plastic
Hoods/Housings seal	NBR
Limiting temperatures	-40 °C ... +125 °C
Approval acc. to UL 50	NEMA Type 4/4X/12
Flammability acc. to UL 94	V 0
Degree of protection acc. to DIN EN 60 529 for coupled connector	IP44 IP67 is achieved with seal screw 09 20 000 9918

Han® 3 M Hoods/Housings Hoods/Housings for higher environmental requirements

Material	zinc die-cast
Colour	RAL 9005 (black)
Surface	- Top coat epoxy powder paint
Locking element	stainless steel
Lever type	lever, metal
Hoods/Housings seal	FPM
Limiting temperatures	-40 °C ... +125 °C
Corrosion resistance	ASTM B117-09 (500 h)
Degree of protection acc. to DIN EN 60 529 for coupled connector	IP44 IP67 is achieved with seal screw 09 20 000 9918

Han® Standard Hoods/Housings Metal hoods/housings for industrial applications

Material	aluminium die-cast
Colour	RAL 7037 (grey)
Surface	powder-coated
Locking element	stainless steel
Lever type	Han-Easy Lock®
Hoods/Housings seal	NBR
Limiting temperatures	-40 °C ... +125 °C
Approval acc. to UL 50	NEMA Type 4/4X/12
Degree of protection acc. to DIN EN 60 529 for coupled connector	IP65

Han® M Hoods/Housings Hoods/Housings for higher environmental requirements

Material	aluminium die-cast
Colour	RAL 9005 (black)
Surface	- Top coat epoxy powder paint
Locking element	stainless steel
Lever type	lever, metal
Hoods/Housings seal	FPM
Limiting temperatures	-40 °C ... +125 °C
Approval acc. to UL 50	NEMA Type 4/4X/12
Corrosion resistance	ASTM B117-09 (500 h)
Degree of protection acc. to DIN EN 60 529 for coupled connector	IP65

Han® 3 EMC Hoods/Housings Hoods/Housings for higher EMC requirements

Material	zinc die-cast
Colour	non coloured
Surface	electrical conductive
Locking element	steel, zinc-plated
Lever type	lever, metal
Hoods/Housings seal	NBR
Limiting temperatures	-40 °C ... +125 °C
Degree of protection acc. to DIN EN 60 529 for coupled connector	IP44 IP67 is achieved with seal screw 09 20 000 9918

Han-INOX® Hoods/Housings for higher corrosion requirements

Material	stainless steel
Colour	non coloured
Surface	electrical conductive
Locking element	stainless steel
Lever type	lever, metal
Hoods/Housings seal	NBR
Limiting temperatures	-40 °C ... +125 °C
Degree of protection acc. to DIN EN 60 529 for coupled connector	IP65 IP44 IP67 is achieved with seal screw 09 20 000 9918
- Size Han® 3 A	

Han® EMC Hoods/Housings Hoods/Housings for higher EMC requirements

Material	aluminium die-cast
Colour	non coloured
Surface	electrical conductive
Locking element	
- Screw locking	M5
- Material	stainless steel
- Tightening torque	3 Nm
Hoods/Housings seal	NBR
Limiting temperatures	-40 °C ... +125 °C
Approval acc. to UL 50	NEMA Type 4/4X/12
Degree of protection acc. to DIN EN 60 529 for coupled connector	IP65

Han® 3 HPR Hoods/Housings Hoods/Housings for harsh environmental requirements

Material	zinc die-cast
Colour	RAL 9005 (black)
Surface	
- Top coat	epoxy powder paint / chromated
Locking element	
- Screw locking	M4
- Material	stainless steel
- Tightening torque	2 Nm
Hoods/Housings seal	NBR
Limiting temperatures	-40 °C ... +125 °C
Corrosion resistance	ASTM B117-09 (500 h)
Degree of protection acc. to DIN EN 60 529 for coupled connector	IP68 / IP69K

Attention
The sealing on the insert has to be removed.
The sealing screw of the insulation body must be replaced by the sealing screw of the hood.

Han® EMC/B Hoods/Housings Hoods/Housings for higher EMC requirements

Material	
- Hoods/Housings	aluminium die-cast
- shielded frames	zinc die-cast alloy
Colour	non coloured
Surface	
- Hoods/Housings	electrical conductive
- shielded frames	electrical conductive
Locking element	stainless steel
Lever type	Han-Easy Lock®
Hoods/Housings seal	NBR
Limiting temperatures	-40 °C ... +125 °C
Approval acc. to UL 50	NEMA Type 4/4X/12
Degree of protection acc. to DIN EN 60 529 for coupled connector	IP65

Han® HPR Hoods/Housings Hoods/Housings for harsh environmental requirements

Material	aluminium die-cast, corrosion resistant
Colour	RAL 9005 (black)
Surface	
- Top coat	epoxy powder paint
Locking element	
- Screw locking	M6
- Material	stainless steel
- Tightening torque	4 Nm
- Toggle locking	
- Material	stainless steel
Hoods/Housings seal	NBR
Limiting temperatures	-40 °C ... +125 °C
Approval acc. to UL 50	NEMA Type 4/4X/12
Corrosion resistance	ASTM B117-09 (500 h)
Degree of protection acc. to DIN EN 60 529 for coupled connector	IP68 / IP69K (does not apply to Han® 48 HPR)

Features

- Metal hoods/housings for industrial applications

Technical characteristics


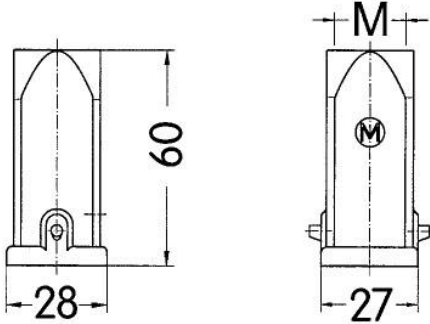

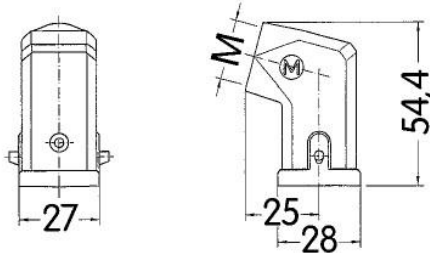

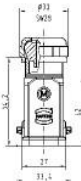

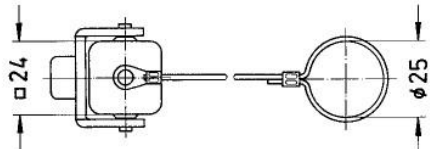
Limiting temperatures	-40 °C ... 125 °C
Degree of protection acc. to IEC 60529	IP44 / IP67 is achieved with seal screw 09 20 000 9918
Material (hoods/housings)	zinc die-cast
Surface (hoods/housings)	powder-coated
Colour (hoods/housings)	RAL 7037 (grey)
Material (locking lever)	steel, zinc-plated
Material (seal)	NBR

Specifications and approvals

Ⓜ


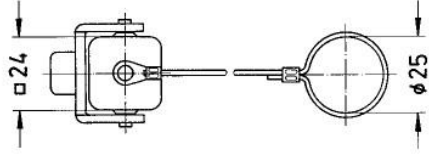

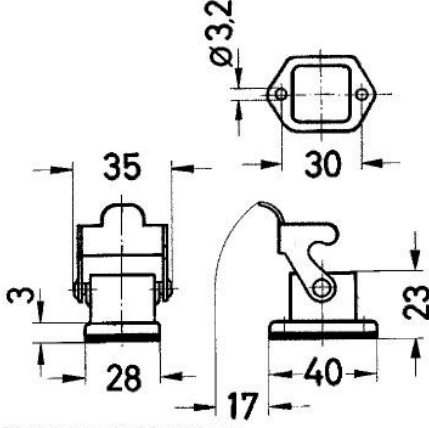

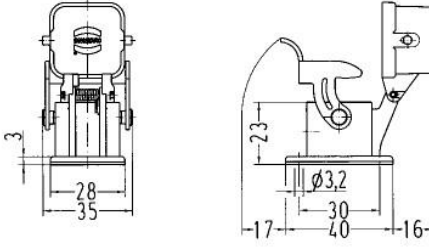

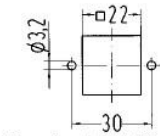


Metal hoods/housings for industrial applications
double locking lever


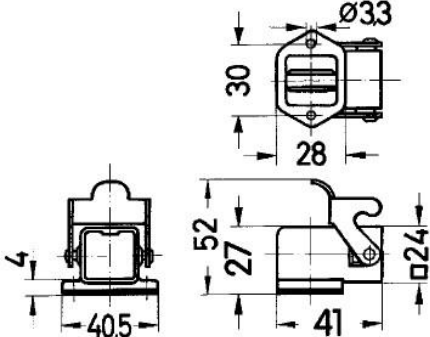

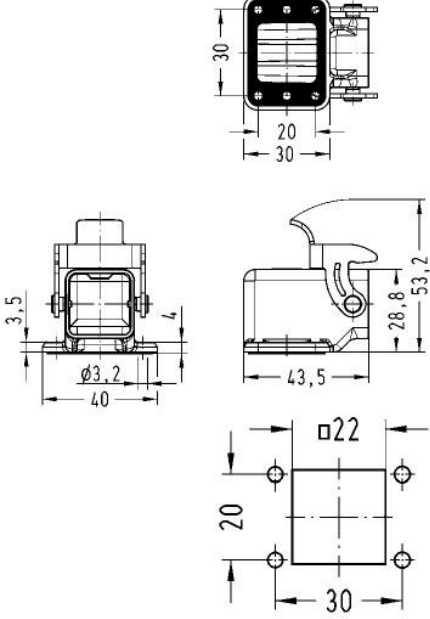

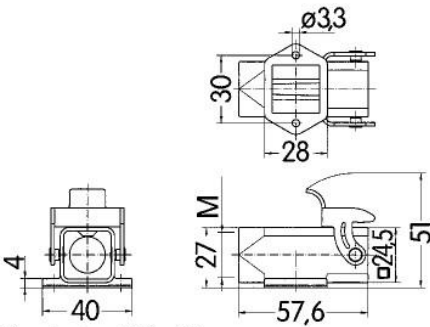
Identification	Cable entry	Part number	Drawing Dimensions in mm
Han A® , Hoods, top entry 	1xM20	19 20 003 1440	
Han A® , Hoods, side entry 	1xM20	19 20 003 1640	
Han A® , Hood with integrated cable gland, top entry 	6...12 mm 11...17 mm	19 20 003 1421 19 20 003 1422	
Han A® , Protection cover for hoods, for mounted female insert, metal, with securing flex, with sealing 		09 20 003 5421	

Hoods
Housings




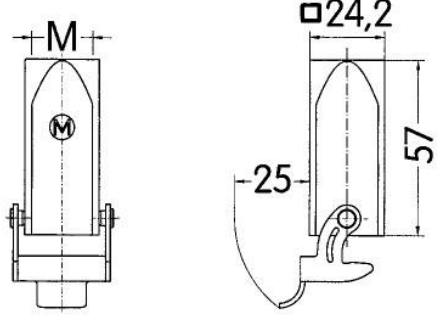
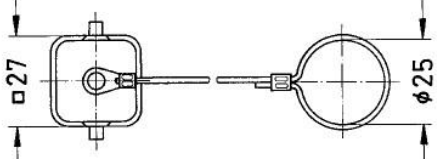
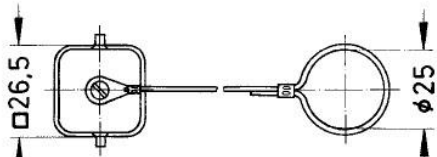
Identification	Cable entry	Part number	Drawing Dimensions in mm
<p>Han A®, Protection cover for hoods, for mounted male insert or for mounted Han-Brid® insert, metal, with securing flex</p> 		09 20 003 5422	
<p>Han A®, Bulkhead mounted housings, straight</p> 		09 20 003 0301	 <p>Panel cut out 22 x 22 mm</p>
<p>Han A®, Bulkhead mounted housings, straight, with metal cover, for male inserts</p> 		09 20 003 0305	 <p>Panel cut out 22 x 22 mm</p>
<p>Han A®, Bulkhead mounted housings, straight, with sealing, for female inserts</p> 		09 20 003 0306	 <p>Panel cut out 22 x 22 mm</p>


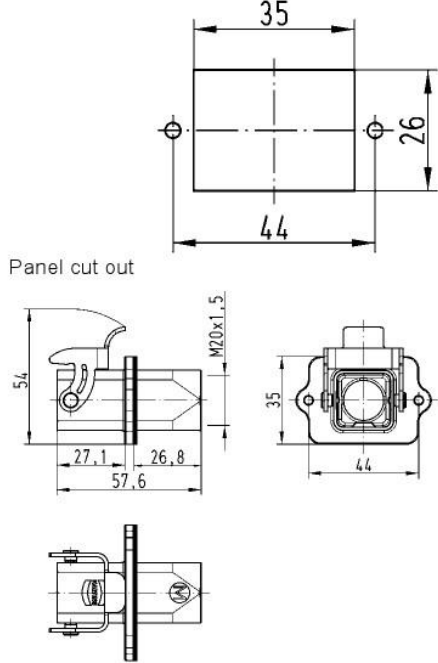

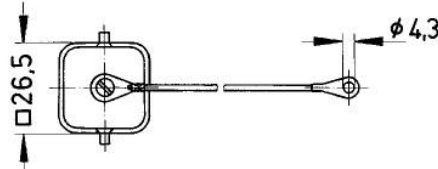

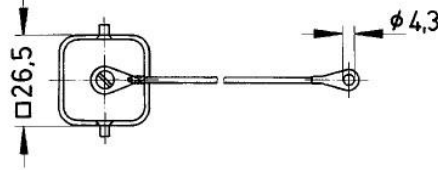

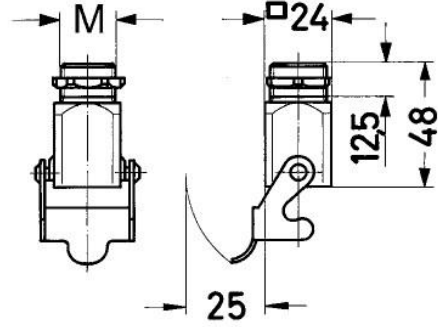
Hoods
Housings

Identification	Cable entry	Part number	Drawing Dimensions in mm
<p>Han A®, Bulkhead mounted housings, angled, 2 fixing screws</p> 		09 20 003 0801	 <p>Panel cut out 22 x 22 mm</p>
<p>Han A®, Bulkhead mounted housings, angled, 4 fixing screws</p> 		09 20 003 0810	 <p>Panel cut out 22 x 22 mm</p>
<p>Han A®, Surface mounted housings, top entry, open bottom</p> 	1xM20	19 20 003 1250	 <p>Panel cut out 22 x 22 mm</p>

Hoods
Housings



Identification	Cable entry	Part number	Drawing Dimensions in mm
Han A® , Surface mounted housings, top entry, bottom closed	1xM20	19 20 003 1252	
	1xM20	19 20 003 1750	
Han A® , Protection cover for cable to cable hous- ings, for mounted female insert or for mounted Han-Brid® insert, metal, with securing flex, with sealing		09 20 003 5427	
Han A® , Protection cover for cable to cable hous- ings, metal, with securing flex		09 20 003 5428	

Identification	Cable entry	Part number	Drawing Dimensions in mm
<p>Han A® , Panel feed through housings, top entry</p> 	<p>1xM20</p>	<p>19 20 003 1120</p>	 <p>Panel cut out</p>
<p>Han A® , Protection cover for housings, for mounted female insert or for mounted Han-Brid® insert, metal, with securing flex, with sealing</p> 		<p>09 20 003 5425</p>	
<p>Han A® , Protection cover for housings, for mounted male insert, metal, with securing flex</p> 		<p>09 20 003 5426</p>	
<p>Han A® , Screw mounted housings, top entry</p> 	<p>1xM20</p>	<p>19 20 003 1150</p>	

Hoods
Housings

Features

- Plastic hoods/housings for industrial applications


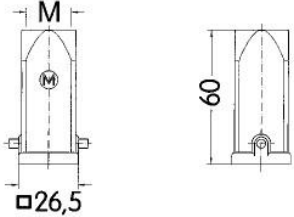

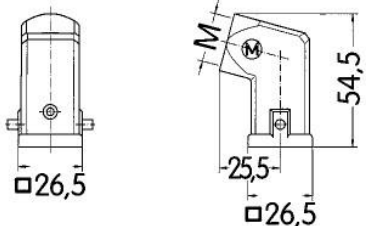

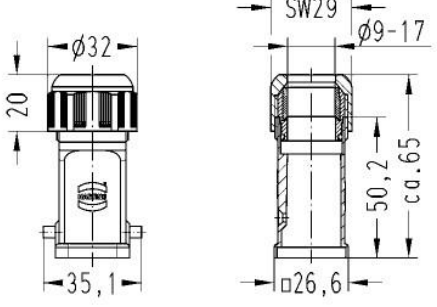
Technical characteristics

Limiting temperatures	-40 °C ... 125 °C
Flammability (hoods/housings) acc. to UL 94	V 0
Flammability (locking lever) acc. to UL 94	V 0
Protection class acc. to UL 50	NEMA type 4/4X/12
Degree of protection acc. to IEC 60529	IP44 / IP67 is achieved with seal screw 09 20 000 9918
Material (hoods/housings)	polycarbonate
Colour (hoods/housings)	RAL 7032 (light grey), RAL 9005 (black)
Material (locking lever)	polyamide
Colour (locking lever)	RAL 7032 (light grey), RAL 9005 (black)
Material (seal)	NBR

Specifications and approvals

Ⓜ

Plastic hoods/housings for industrial applications
double locking lever


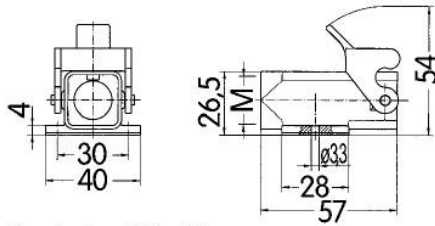

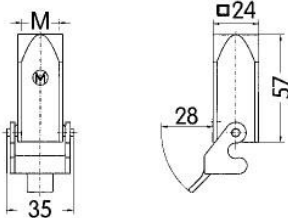

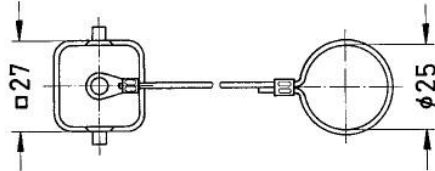

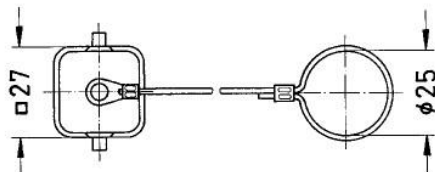
Identification	Cable entry	Part number	Drawing Dimensions in mm
Han A® , Hoods, top entry 	1xM20	19 20 003 0420	
Han A® , Hoods, top entry, black	1xM20	19 20 003 0427	
Han A® , Hoods, side entry 	1xM20	19 20 003 0620	
Han A® , Hoods, side entry, black	1xM20	19 20 003 0627	
Han A® , Hood with integrated cable gland, top entry 		19 20 003 0410	
Han A® , Hood with integrated cable gland, top entry, black		19 20 003 0418	

Hoods
Housings




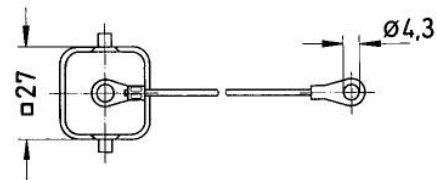


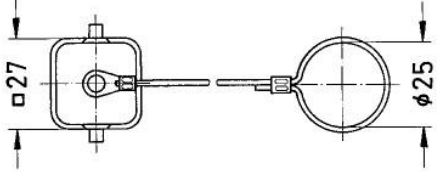


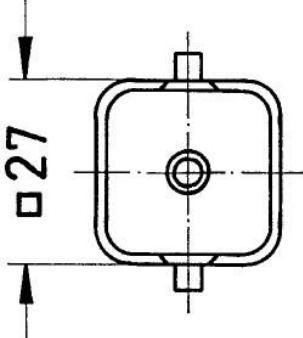
Identification	Cable entry	Part number	Drawing Dimensions in mm
Han A® , Protection cover for hoods, for mounted female insert or for mounted Han-Brid® insert, plastic, with securing flex, with sealing		09 20 003 5441	
Han A® , Protection cover for hoods, for mounted male insert or for mounted Han-Brid® insert, plastic, with securing flex		09 20 003 5442	
Han A® , Bulkhead mounted housings, straight		09 20 003 0320	<p>Panel cut out 22 x 22 mm</p>
Han A® , Bulkhead mounted housings, angled		09 20 003 0820	<p>Panel cut out 22 x 22 mm</p>
Han A® , Bulkhead mounted housings, straight, black		09 20 003 0327	
Han A® , Bulkhead mounted housings, angled, black		09 20 003 0827	



Identification	Cable entry	Part number	Drawing Dimensions in mm
<p>Han A®, Surface mounted housings, top entry</p> 	<p>1xM20</p>	<p>19 20 003 0220</p>	 <p>Panel cut out 22 x 22 mm</p>
<p>Han A®, Surface mounted housings, top entry, black</p>	<p>1xM20</p>	<p>19 20 003 0227</p>	
<p>Han A®, Cable to cable housings, top entry</p> 	<p>1xM20</p>	<p>19 20 003 0720</p>	
<p>Han A®, Cable to cable housings, top entry, black</p>	<p>1xM20</p>	<p>19 20 003 0727</p>	
<p>Han A®, Protection cover for cable to cable hous- ings, for mounted female insert, plastic, with sealing, with securing flex</p> 		<p>09 20 003 5447</p>	
<p>Han A®, Protection cover for cable to cable hous- ings, for mounted male insert, plastic, with securing flex</p> 		<p>09 20 003 5448</p>	



Hoods
Housings



Identification	Cable entry	Part number	Drawing Dimensions in mm
<p>Han A®, Protection cover for housings, for mounted female insert, plastic, with sealing, with securing flex</p> 		09 20 003 5445	
<p>Han A®, Protection cover for housings, for mounted male insert, plastic, with securing flex</p> 		09 20 003 5446	
<p>Han A®, Protection cover for housings, for mounted female insert, plastic, with sealing, with securing flex, black</p> 		09 20 003 5449	
<p>Han A®, Protection cover for housings, for mounted male insert, plastic, with securing flex, black</p> 		09 20 003 5450	
<p>Han A®, Protection cover for housings, plastic</p> 		09 20 003 5407	

Hoods
Housings



Identification	Cable entry	Part number	Drawing Dimensions in mm
<p>Han A® , Protection cover for housings, for mounted female insert or for mounted Han-Brid® insert, plastic, with sealing</p> 		09 20 003 5408	
<p>Han A® , Protection cover, for mounted female insert or for mounted Han-Brid® insert, plastic, with sealing, black</p> 		09 20 003 5409	