

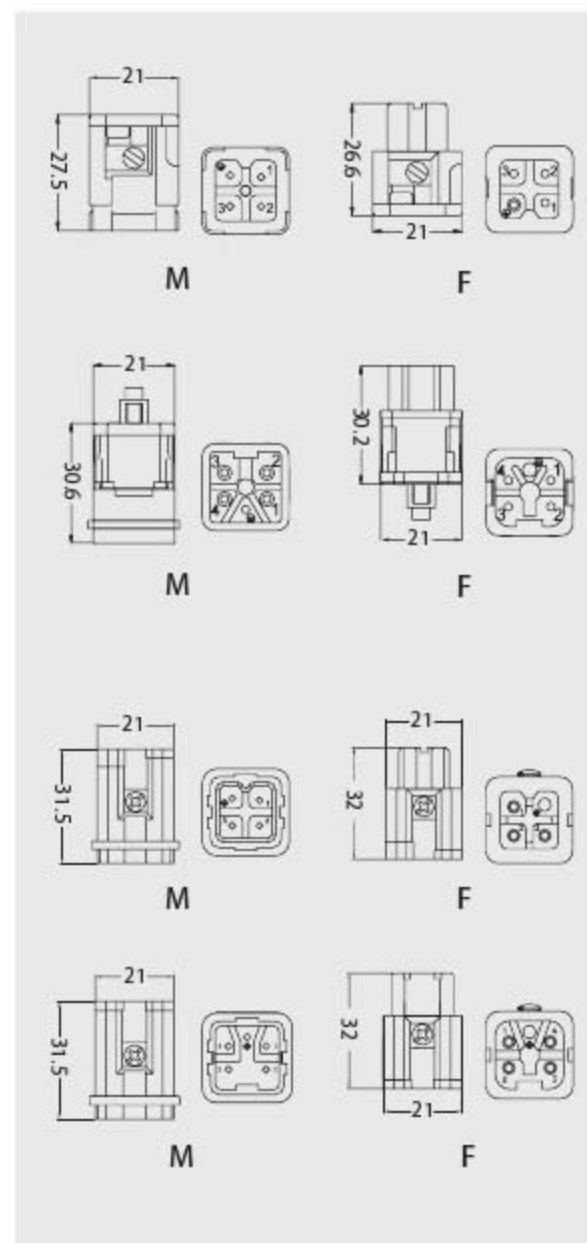
230/400V 10A 3/4+

Inserts

Screw terminal



Insert	Order No.
Male	H-A-03-M
Female	H-A-03-F
Male	H-A-04-M
Female	H-A-04-F



Spring terminal



Insert	Order No.
Male	H-A-03-MS
Female	H-A-03-FS
Male	H-A-04-MS
Female	H-A-04-FS

250V 16A 10+

Inserts

Screw terminal



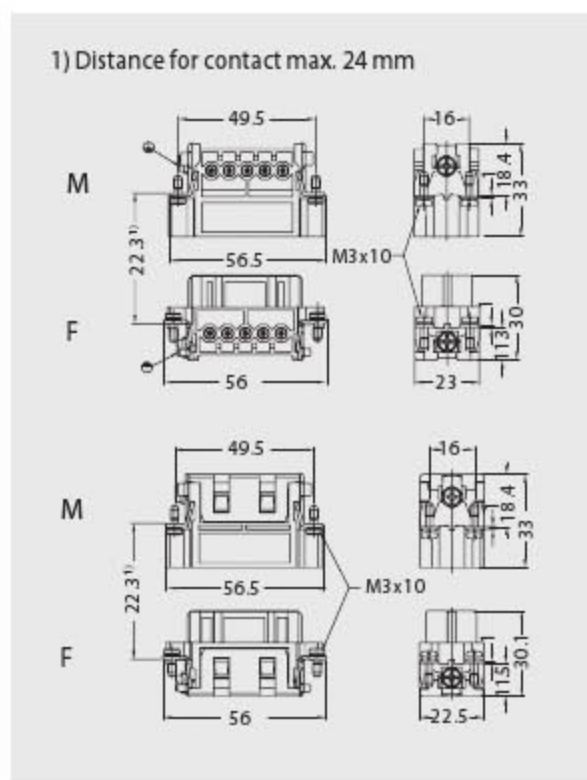
Insert	Order No.
Male	H-A-10-M
Female	H-A-10-F

Crimp terminal



Insert	Order No.
Male	H-A-10-MC
Female	H-A-10-FC

Order crimp contacts separately
16A crimp contacts, detail please find the page 102



250V 16A 16+

Inserts

Screw terminal

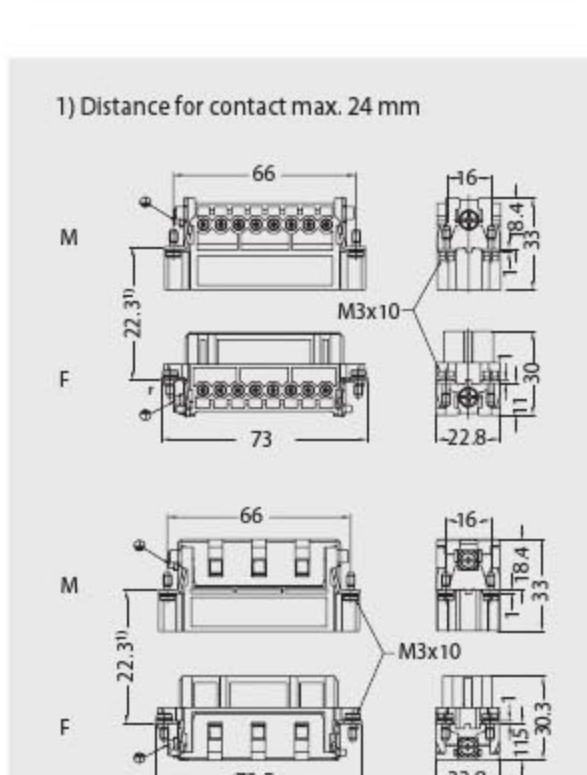


Insert	Order No.
Male	H-A-16-M
Female	H-A-16-F

Crimp terminal



Insert	Order No.
Male	H-A-16-MC
Female	H-A-16-FC



250V 16A 32+

Inserts

Screw terminal



Insert	Order No.
Male	H-A-16-M
	H-A-16-MN (17-32)
Female	H-A-16-F
	H-A-16-FN (17-32)

Crimp terminal



Insert	Order No.
Male	H-A-16-MC
	H-A-16-MCN (17-32)
Female	H-A-16-FC
	H-A-16-FCN (17-32)

